

Riverwalk I

Suite 35-C

2150 E. Lake Cook Road, Buffalo Grove, IL
60089

HAMILTON PARTNERS
www.hamiltonpartners.com



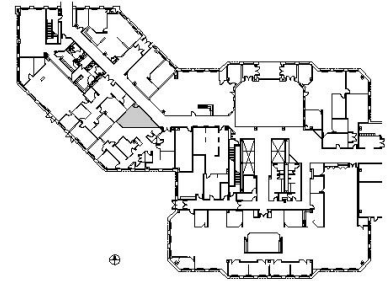
DETAILS

Square Feet: 357 S.F.
Net Rent: \$17.00/S.F.
OP. Expense: \$8.65/S.F.
Tax: \$2.25/S.F.
Gross Rent: \$27.90/S.F.

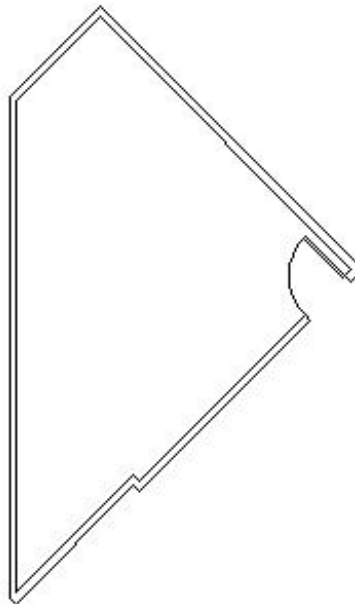
SUITE FEATURES

- Available 03/01/18
- On-Site Management
- Conference & Training Center to Seat 75-80
- 5-Level Structured Parking Deck
- On-Site Health Club
- Cafeteria & Riverwalk Cafe
- On PACE Main Line for Buffalo Grove & Deerfield Metra Stations
- Adjacent to Forest Preserve Walking Trails
- On-Site Security Guard Service
- Fiber, Wireless & Cable available (AT&T, Comcast & BOB)

First FLOOR PLAN



SPACE PLAN



HAMILTON PARTNERS - Sponsoring Broker

Brian Lunt

blunt@hpre.com

P 847-459-2249

F 847-459-8918

Mike Rolfs

mrolfs@hpre.com

P 847-459-5561

F 847-459-8918